

14

13

12

SCALE DRAWING NO.	REV	DATE
C	1	11/11/85

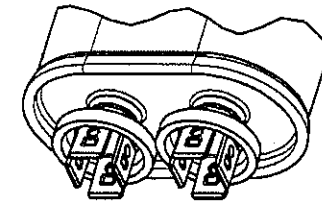
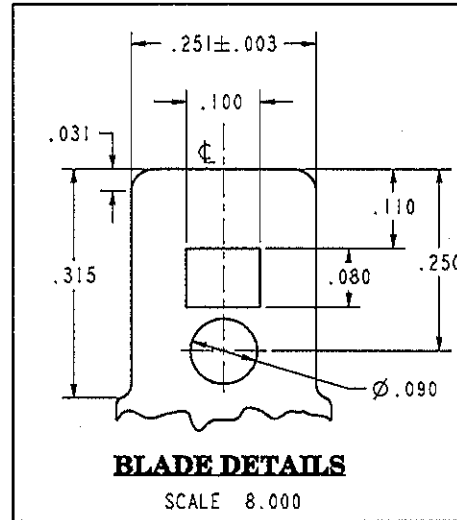
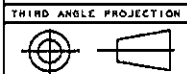
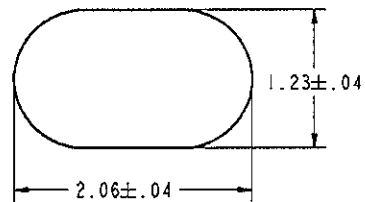
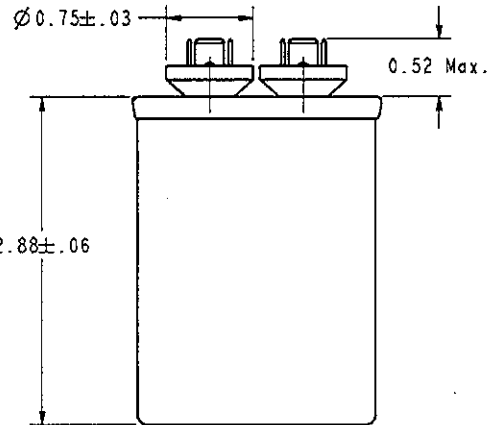
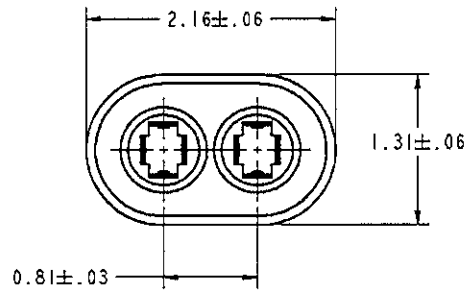
27L5018

REV.	DESCRIPTION	DATE	APPROVED
1	Modified per ECN NO. 0627.	11/11/85	HV

RBC PROPRIETARY AND CONFIDENTIAL INFORMATION

This document is the property of REGAL-BELOIT CORPORATION ("RBC") including its subsidiaries and divisions and contains proprietary information of RBC. This document is loaned on the express condition that neither it nor the contents hereof shall be disclosed to others outside the express written consent of RBC, and that the information shall be held in confidence and its use restricted to the specific project for which it is required. This document may be subject to certain restrictions under export control laws and regulations.

REV.	DESCRIPTION	DATE	APPROVED
1	Modified per ECN NO. 0627.	11/11/85	HV



SCALE 1.500

SPECIFICATIONS :

"GEM-III Capacitors are manufactured with High Grade Metallized Polypropylene Film"

Main Capacitance	: 10.00 μ F \pm 6%
Secondary Capacitance	: NIL
Volts	: 370AC
Leakage Current	: 30 μ A Max.
Frequency	: 50/60 HZ
Operating Temperature	: -40 DEG C TO 70 DEG C
Storage Temperature	: -40 DEG C TO 90 DEG C
Operative Life	: 60,000 HRS WITH 94% SURVIVAL
Dissipation Factor	: 0.1% MAX.
Case Material	: ALUMINIUM
Cover Material	: ALUMINIUM
Terminals	: 0.250"x0.031" Quick Connect Blades
Dielectric Fluid	: DIELEKTROL VI
Internal Protection	: UL RECOGNIZED PRESSURE SENSITIVE INTERRUPTER

FOR ADDITIONAL INFO REFER TO:	SIGNATURES	DATE
APPLIED PRACTICES	MODEL R. P. HIRUKAR	10/29/04
UNLESS OTHERWISE SPECIFIED DIMENSIONS ARE IN INCHES	DRAWN R. P. HIRUKAR	10/29/04
TOLERANCE ON:	CHECKED R. P. HIRUKAR	10/29/04
1 PL DECIMALS \pm 0.1	ENGRS	
2 PL DECIMALS \pm 0.01	MFG	
3 PL DECIMALS \pm 0.001	QUALITY	
ANGLES \pm 0.5	ISSUED	
FRACTIONS \pm		
FINISH <input checked="" type="checkbox"/>		



REGAL-BELOIT CORPORATION

**GEM III CAPACITOR
OUTLINE DRAWING**

TTTLC

SIZE DRAWING

C

27L5018

REV

1

MATERIAL SOLID MODEL: 27CAPACITOR.ASM

SCALE: 1.250

REF. No: .

SHEET 1 OF 1

14

13

12

11